

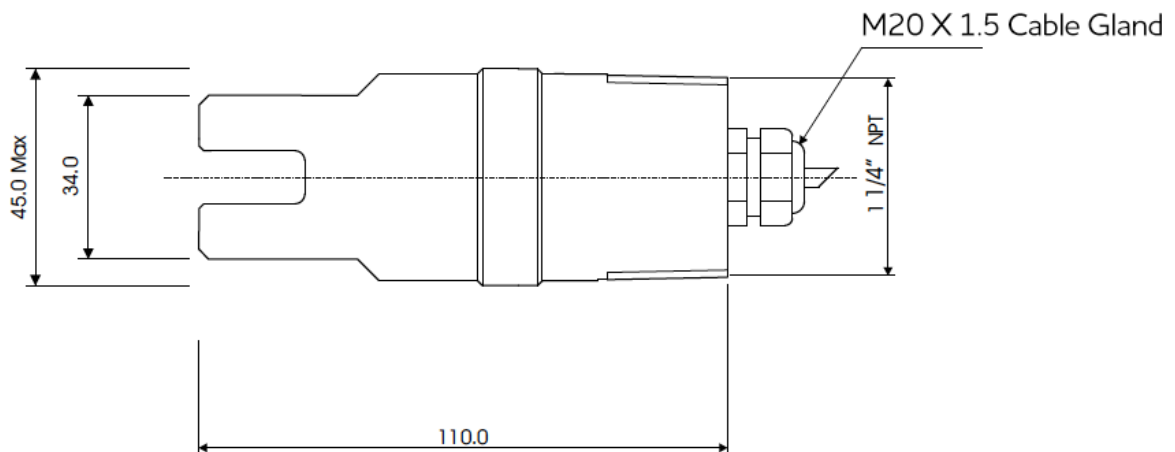
S10-IMM Immersion Style

Example concentration

0-25 g/L SiO₂. Applications include return and waste-activated sludge measurement, clarifier monitoring.



Dimensions



Key features



SELF-COMPENSATING

Multi-beam sensor, virtually eliminates drift due to contamination or electronic ageing.



ONE-PIECE BODY

No lenses to leak, glass-free design.



SIMPLE TO USE

Simple user interface



RELIABLE

Accurate, repeatable & reliable.

Example applications

Immersion style sensors are designed for continuous on-line monitoring of suspended solids.

Return and waste-activated sludge measurements, thickened and digested sludge to clarifiers, or centrifugal, gravity or filter.

Normal activated sludge.

0 to 25g/L

Coal fines

0 to 4%

(the measuring range will vary according to media and particle characteristics)

Further specifications

ACCURACY

+/- 2% of reading

REPEATABILITY

+/- 1% of reading

TEMPERATURE

0 to 85°C operating range

PRESSURE

10 Bar

CABLE

Polyurethane-covered cable rated to 95°C. Extension cables can be supplied to extend the cable up to 50m.

TRANSMITTER

Quadbeam MXD75 or MXD73

OPTIONAL EXTRAS

Cleaner - powered using air at 5 Bar.

Model no. selection guide

BASIC MODEL NO.:

S10 - Measuring range 0 - 25 g/L.

BODY STYLE

IMM - Immersion Style body

WAVE LENGTH

880 - 880nm Standard. Other wave lengths available

BODY MATERIAL

PP - Polypropylene

CABLE

10 - Both immersion and hygienic sensors are supplied with a 10m cable as standard. Other lengths available

CONNECTOR

NC - No Connector. Cores stripped and crimped for direct connection with the MXD Transmitters

CA - Amphenol Connector. For use with Hygienic sensors using extension cables.

Sample model no: **S10-IMM-880-PP-10-NC**

Partner Distributore per l'Italia **BIO MASS IMPIANTI S.r.l.**

Tel. +39 02.4453223 Fax. +39 02.48402025
Via M. Pagano, 28 - 20090 Trezzano s/N (MI)
Email: Info@BioMassImpianti.com
Internet: www.BioMassImpianti.com

Quadbeam Technologies Ltd – Contact us

Email – info@quadbeam.com

Call US – (303) 923 5273

Call international – +64 9 238 4609

Call NZ – 09 238 4609